



## Main features

### Printing type



Barcode



Logos



Alphanumeric text

### Maximum height



0-15 mm



16-100 mm



Above 100 mm

### Printing surfaces



Primary packaging



Secondary packaging



Raw material

- Z5000IVS integrates a vision system that verifies, in real time, the correctness of the printing and rejects non-conforming products.
- Multiple message accuracy: presence, readability, correctness with integrated OCV (Optical Character Verification) high performance software.
- High speed verification for fixed and variable data.
- Complete messages record for statistical analysis.
- Alarm output and image record for products reject.

# Z5000IVS

## TECHNICAL SPECIFICATIONS

### PRINTING CHARACTERISTICS

- Up to 2 lines of print (3 lines optional)
- Up to 20 characters per line
- Resolution up to 640 x 480 pixels
- Print & check up to 20 print per second (single line)
- High efficiency LED illuminator
- Wide range of font matrix
- Intuitive graphical user interface with a 12,1" SVGA full colour touch-screen panel
- Windows XP embedded operative system
- Innovative DotNet programming software
- Integrated OCV (Optical Character Verification) software
- Multiple message accuracy: presence, readability, correctness
- Verification for fixed and variable data
- Complete messages record
- Automatic image record for products reject
- Automatic compensation of character position and inclination
- Camera regulation for different colours and surfaces
- Full flexibility for error files storing
- Unlimited characters training
- Selectable data verification

### MODES PER READING-WINDOW

- Texts
- Counters
- Best before date
- Shift codes
- Logos
- 2D - Datamatrix

### PRINthead

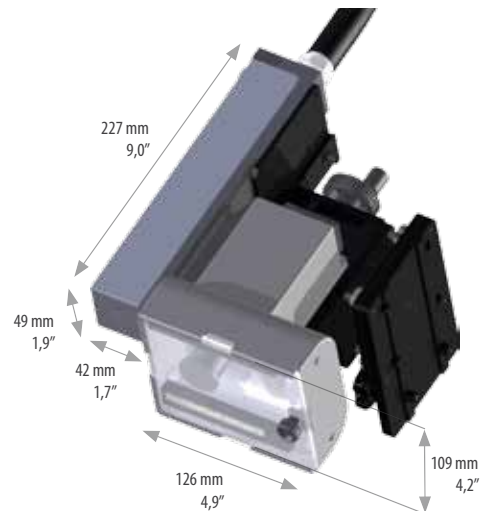
- Micro print nozzle for high quality resolution print
- Hermetically sealed printhead components
- Auto-phasing of ink stream for consistent print quality
- Conduit inlet at 90° (optional)
- Internal supply positive air function
- 360° orientation metallic printhead

### EXTERNAL CONNECTIONS

- N.2 Ethernet GbE LAN1  
RJ-45 x 2 - 10/100/1000 Mb
- N.2 serial connections RS232
- N.4 USB 2.0 connections
- System ready output
- External alarm output for products reject

### ENVIRONMENT/ELECTRICAL REQUIREMENTS

- Temperature: from 5° to 45°C (40° - 113°F)
- Humidity: 10 - 90% (non-condensing)
- Single phase, 85 - 240 Vac, 50 - 60 Hz, 200 VA



Use a QR code reader to see the product page